



Ellbee



**LEISURE INDUSTRY
PRODUCT GUIDE**

Contents

Section 1	Introduction
Section 2	Crystal Window & Elite Door System
Section 3	Vision Window
Section 3	Premier Window & Door System
Section 4	Shield Window & Door System
Section 5	Shower Doors
Section 6	Vinyl Rainware System
Section 7	RV Entrance & Locker Door Systems
Section 8	Aluminium Trim

Introduction

Ellbee Ltd. has over 60 years experience of supplying excellent products and first class customer service to the Holiday Home and Touring Caravan market.

Our products are manufactured to the highest standards in the UK at our dedicated production facility in Leeds, West Yorkshire. Our policy of continuous improvement means we have the most up to date machinery and manufacturing facilities to meet the increasing demands of the market and the exacting needs of our customers.

We are committed to maintaining our leading position in this market by continuing to deliver flexible, reliable and cost effective solutions to our customers



Crystal Window & Elite Door System

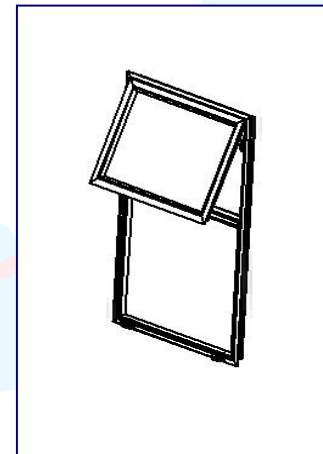
The Crystal window and Elite entrance door system is unique.

Its aluminium construction provides elegant slimline styling combined with a low maintenance finish, strength and stability and is also the environmental choice, being a constantly recyclable material.

All this together with innovative design features make the Crystal and Elite systems, the practical and affordable choice for windows and doors.

Features

- ◆ UK manufactured
- ◆ Single glazed aluminium system
- ◆ Customised designs
- ◆ Powder coated or anodized finish
- ◆ Structurally glazed providing stability and security
- ◆ Internal condensation channel with an anti-blowback drainage cover
- ◆ Locking handle with night vent facility
- ◆ Internal or face fitting
- ◆ Canopy, sill & Secure vents available
- ◆ Batch specific, line side deliveries



Vision Window System

The Vision window system unique to Ellbee, has been designed and developed specifically for the traditional Holiday Home market with slimline styling.

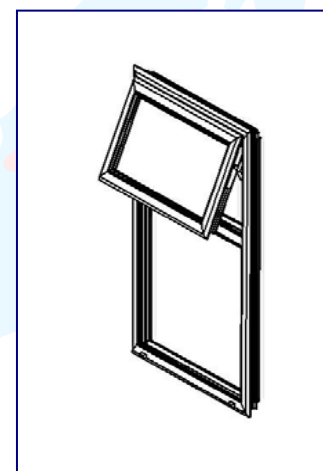
The uPVC construction, which is low maintenance and thermal efficient, can be supplied in white or a variety of wood grain or solid coloured finishes

Combining this system with our Premier doors, makes this the most popular window and door system in the market place.



Features

- ◆ UK manufactured
- ◆ Double or Single glazed
- ◆ Customized designs
- ◆ White, wood grain or coloured finishes
- ◆ Structurally glazed providing window stability and security
- ◆ Locking handle with night vent facility
- ◆ Internal fitting
- ◆ Pre-fitted canopy and sill solutions available.
- ◆ Batch specific, line side deliveries
- ◆ Energy efficient units



Premier Window & Door System

The Premier window & door system brings a domestic window and door suite to the Holiday Home and Portable/ Modular building market.

The exclusive 'slimline' outerframe design enables a rapid installation and finishing solution, whilst being able to combine with other components from the extensive domestic suite.

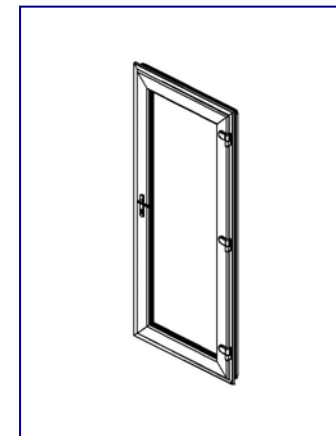
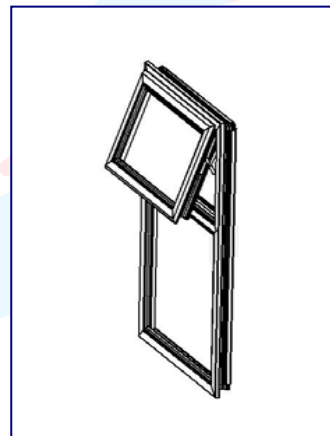
The uPVC construction, which is low maintenance and thermal efficient, can be supplied in white or a variety of wood grain or solid coloured finishes

To realise your design, without compromise, choose the uPVC Premier window and door system.



Features

- ◆ UK manufactured
- ◆ 'Domestic' uPVC system
- ◆ Slim sight lines
- ◆ Customised designs
- ◆ White, wood grain or coloured finishes
- ◆ Security glazed
- ◆ Fitting options
- ◆ Domestic system compatibility – Bays and multiple assemblies
- ◆ Batch specific, line side deliveries
- ◆ Energy efficient units



Shield Window & Door System

The Shield window & door system is the ultimate solution in windows and doors for the Holiday Home and Park Home market. Developed without compromise from its robust, steel reinforced framework to its secure espagnolette window locking, you can be assured this system will fulfil your exacting requirements.

Developed with an 'oddleg' outerframe enabling a rapid installation and external finishing solution, whilst being able to utilise other components from the extensive 70mm domestic suite.

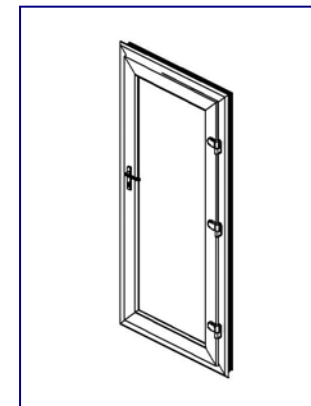
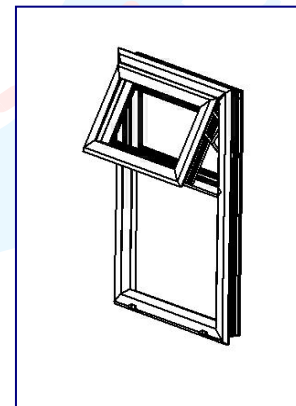
The uPVC construction, which is low maintenance and thermal efficient, can be supplied in white or a variety of wood grain or solid coloured finishes

To realise your design, without compromise, choose the ultimate window and door system currently available in the market today.



Features

- ◆ UK manufactured
- ◆ A 'domestic' uPVC system
- ◆ Fully reinforced
- ◆ Bespoke sizes and shapes
- ◆ Customised designs
- ◆ White, wood grain or coloured finishes
- ◆ Security glazed
- ◆ Espagnolette locking
- ◆ Fitting options
- ◆ Domestic system compatibility – Bays and multiple assemblies
- ◆ Batch specific, line side deliveries
- ◆ Energy efficient units



Shower Doors

Though innovative research and design we have developed flexible shower door solutions to meet the needs of OEM manufacturers in the Leisure Market.

Our unrivalled product offering is supplied to Park Homes and Lodges, Holiday Homes, Touring Caravans and Motorhome manufacturers.

Each customer requirement is carefully considered, and working together we provide outstanding results.

Ellbee the market leading flexible shower door solution provider.

Features

- ◆ UK manufactured
- ◆ Customised designs
- ◆ Unrivalled products and service
- ◆ Framed, Semi-frameless & Frameless solutions
- ◆ Lightweight solutions
- ◆ Toughened safety glass
- ◆ Fully tested
- ◆ Easy to service
- ◆ Latest frame finishes



Aluminium Trim

Through many years of development, working with our Touring Caravan and Motorhome customers to realise their designs, we have an extensive range of aluminium trim solutions including Gutters, Awning rails, Rubbing strakes and Capping rails.

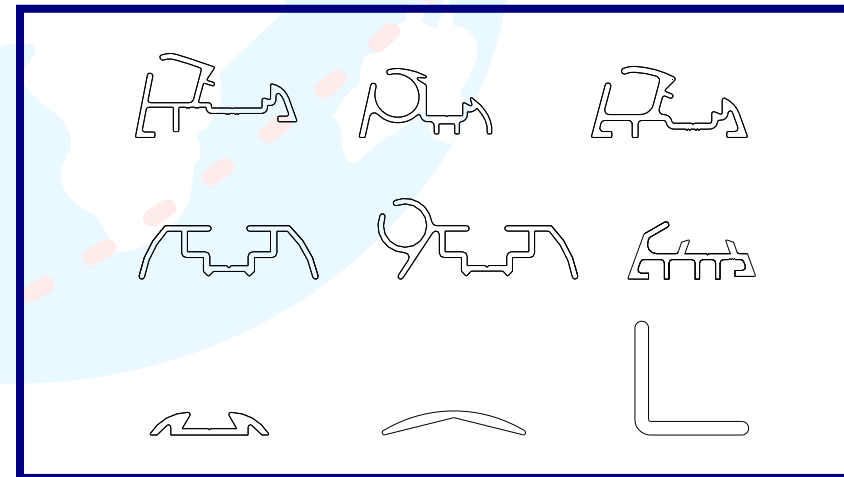
Each piece of trim is carefully finished at our in-house coating plant, providing our customers with excellent service and high quality.

Add on the finishing touch of our rubber inserts and injection moulded endcaps, we can offer complete solutions to meet our customers needs.

Complete flexible solutions for all your aluminium trim requirements.

Features

- ◆ **UK Manufactured**
- ◆ **Latest aluminium alloys available**
- ◆ **Customised designs**
- ◆ **Powder coated or anodized finish**
- ◆ **Cutting and punching service**
- ◆ **Complimenting rubber inserts and end-caps**



RV Entrance & Locker Door System

Designed, developed and manufactured exclusively in the UK, our stylish, durable and lightweight Entrance door and Locker door systems provide attractive solutions for the Touring Caravan and Motorhome market.

Its aluminium construction provides an elegant yet robust product, combining a low maintenance finish and is also the environmental choice, being a constantly recyclable material.

Combining this with our high quality in-house coating process, you can be sure of an outstanding product that will look good for many years to come.

With our adaptable systems and our vast range of optional features we pride ourselves on working together with our customers offering flexible solutions to meet their needs.



Features

- ◆ **UK Manufactured**
- ◆ **One-piece, two-piece entrance door solutions**
- ◆ **Customised designs**
- ◆ **Powder coated or anodized finish**
- ◆ **Lightweight and robust construction**
- ◆ **Latest secure locking systems**
- ◆ **Rapid fitting internal or face fixing solutions**
- ◆ **Internal formed panels**
- ◆ **External panel choice**
- ◆ **Windows and integrated privacy blinds**
- ◆ **Innovative storage solutions**
- ◆ **Compliant with current legislations**

Vinyl Rainware System

Our Vinyl Rainware System, includes Gutters, Downspouts and related accessories. This domestic specification robust, easy to use and maintenance-free family of products fits perfectly onto Park Homes, Lodges and Holiday Homes in the Lesiure Market.

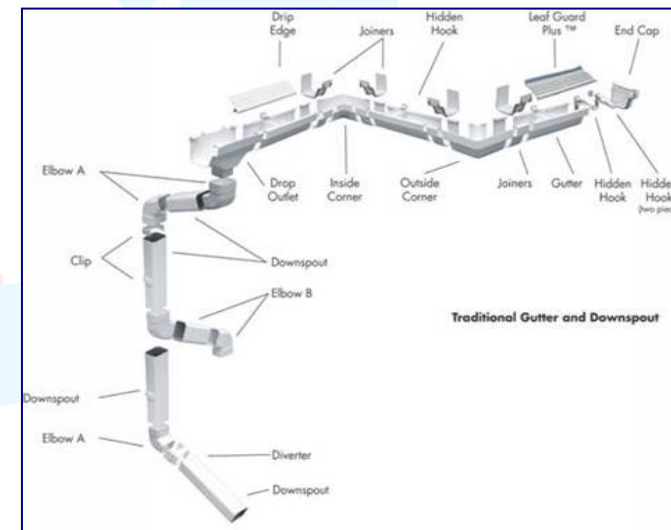
It successfully guides rainwater away from roofs to ground, and with innovative features such as 'Pressure-fit gaskets' and in-built weather resistance you can be sure of years of trouble free use.

We work with our customers to provide model specific kits to meet their needs, whilst providing a solution that compliments the design of the home

Ellbee offering external solutions for your Leisure Home.

Features

- ◆ Contractor grade PVC
- ◆ Weather resistant
- ◆ Hidden hook design
- ◆ Flush fitting
- ◆ Pressure fit gaskets
- ◆ Easy to assemble
- ◆ Choice of colours
- ◆ Complementary accessories
- ◆ Fully tested
- ◆ Maintenance free





Ellbee Ltd. Grangefield Industrial Estate, Pudsey, West Yorkshire, LS28 6LF
T: 0113 224 8007 F: 0113 255 6369 sales@ellbee.co.uk www.ellbee.co.uk